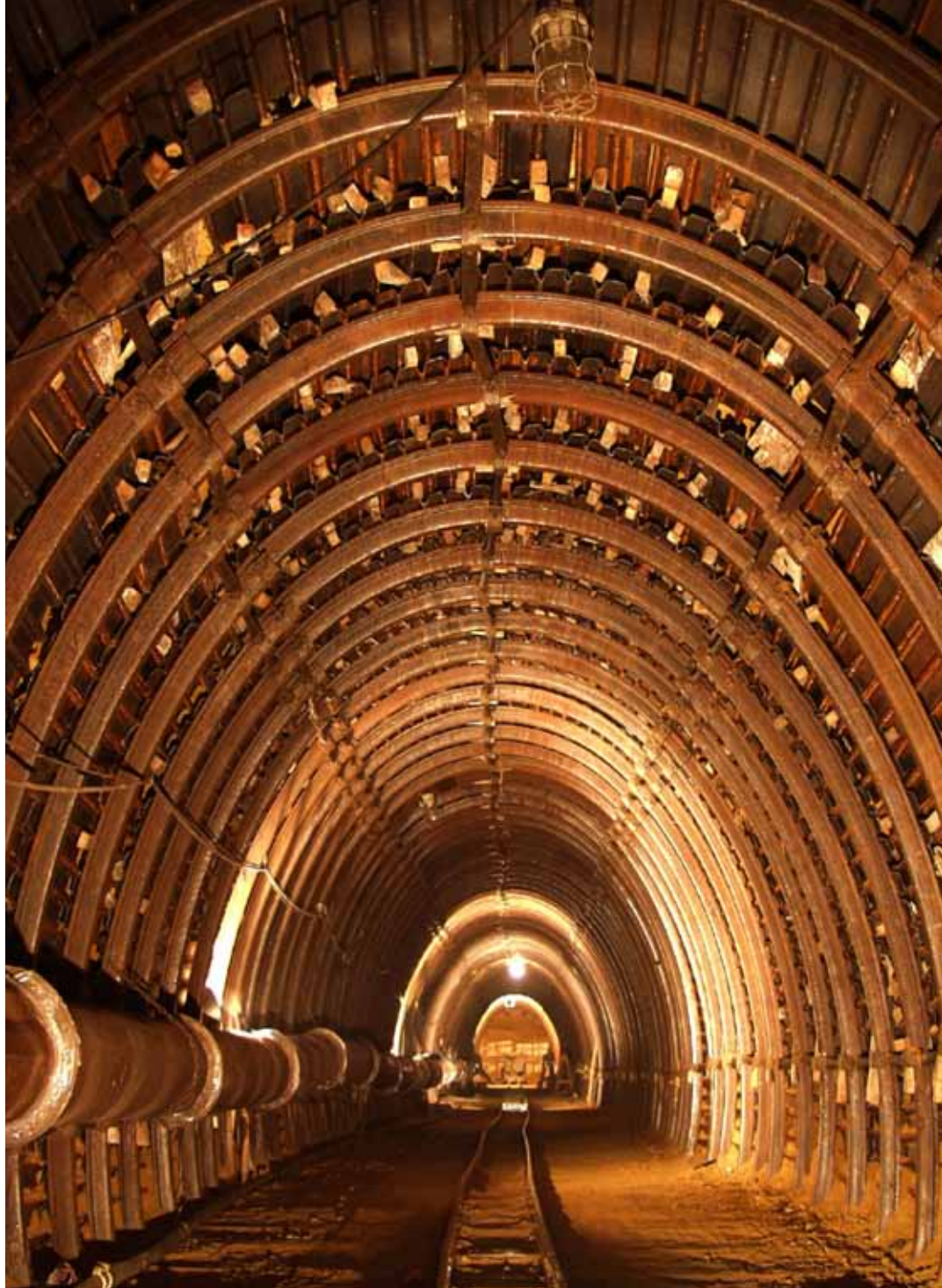




aerospace
climate control
electromechanical
filtration
fluid & gas handling
hydraulics
pneumatics
process control
sealing & shielding



Transair: Advanced Air Pipe Systems

For the Mining Industry



ENGINEERING YOUR SUCCESS.

Manufacturers Distributor, Inc. | www.TransairAluminumPipe.com | Sales@TransairAluminumPipe.com

Phone: (813) 241 - 4900 | Fax: (813) 571 - 0422

Innovative Compressed Air Piping Systems

No where but Parker Hannifin you can find a comprehensive compressed air system specifically designed for the mining market.

Mine Owners: Total installed cost for a Transair compressed air system can be as much as 30% lower when factoring in materials combined with fewer man hours required to install.

Specifying Engineers and System Designers: Achieve unparalleled versatility with the modular and removable design elements as well as system scalability for future expansion.

Piping Installers: Piping systems specified with Transair are easier and quicker to assemble than other pipe joining methods.

Mining Maintenance Personnel: Transair products expedite ongoing maintenance and service checks while reducing personnel risk, resulting in reduced downtime and a safer work environment.

Technical specifications

- Maximum working pressure: 232* psi from -4°F to +115°F
- Vacuum: 98.7% (29.6" Hg)
- Working temperature: -4°F to +140°F
- Pipe sizes:
 - 16.5 mm (1/2")
 - 25 mm (7/8")
 - 40 mm (1 1/2")
 - 63 mm (2 1/2")
 - 76.2 mm (3")
 - 101.6 mm (4")
 - 168 mm (6")

*Max. working pressure for 6" is 188 psi

Improved Safety

Transair's joining technology eliminates workers' exposure to a potentially harmful work environment.

A safe, reliable piping system is a necessity for all mining operations. Mine piping systems must provide a steady stream of compressed air to and from underground operations.

Quick instant connections eliminate the need to thread or solder pipe, therefore, eliminating the risks that comes with the use of flames. In addition, our products are lighter, faster and easier to install than traditional piping systems.

Known for innovative piping solutions, Transair takes safety to a whole new level. The quick connect technology eliminates the concern regarding dropping loose parts creating the opportunity for injuries and lost work time, which ultimately improves your overall mining operation.

Transair's benefits include:

- Quick connection technology
- Removable and reusable
- Modular design
- No corrosion
- Energy efficient
- Full-bore design
- Lower install costs
- Optimum flow rate
- Leak-free guarantee
- Immediate pressurization
- Lightweight
- 10 year warranty



Transair Quick Connection Technology

For the mining industry, there is only one choice that will keep downtime to an absolute minimum - a Transair compressed air system.

Transair has been a leading innovator of compressed air piping systems. Quick, instant connections eliminate the need to thread or solder pipe making initial installation and expansions projects faster, easier and more economical.

Labor accounts for only 20% of the installation cost for Transair as compared to 50 to 80% for steel or copper systems. The light weight material reduces installed cost by

about half when compared to steel or copper, especially in overhead installation.

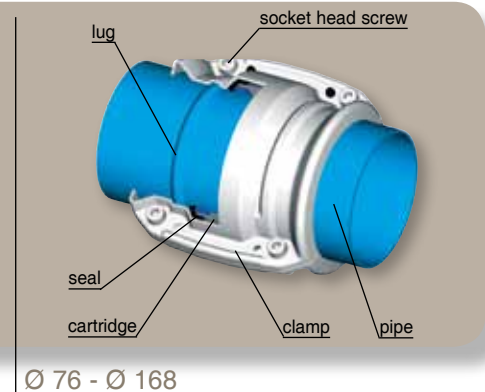
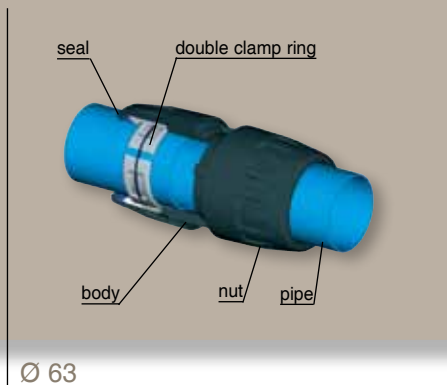
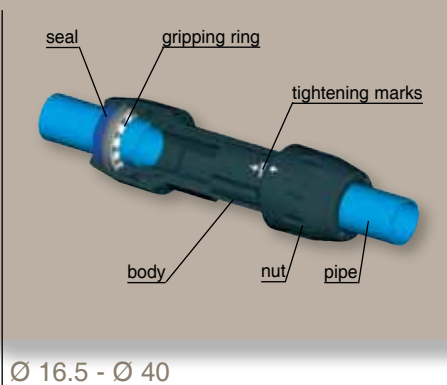
Overall, Transair requires fewer personnel, thus neutralizing labor shortages that mining operations frequently encounter.

Plus, system retrofits and expansions are completed twice as fast because components can be taken apart and reassembled extremely easily compared to

other joining methods without compromising performance. Transair layout changes can be implemented within minutes, not hours. This minimizes downtime and increases productivity.

Transair Labor Statistics:

- Galvanized pipe: 6 feet per hour
- Copper pipe: 8 feet per hour
- Transair pipe: 45 feet per hour
- Lateral dismantling of pipe: 1 min 30 sec
- Drilling of pipe: 2 min 30 sec
- Mounting Brackets: 45 sec
- Remounting of pipe: 1 min 30 sec



Performance Engineered

Compressed air can represent up to 20% of underground mining costs, therefore, a properly designed and maintained compressed air system is critical.

Compressed air can comprise up to 20 percent of the costs of underground mining, according to the Ontario Mining Association (OMA).

So, whether you are operating an existing mine, planning an expansion or designing a new mine, your pipe material selection plays a major role in reducing operating costs and productivity gains.

For instance, leaks are inherent in threaded steel piping systems, which are also difficult to trace and repair. A typical threaded compressed air system leaks 35% of its volume.

However, Transair is guaranteed leak-free due to its unique sealing characteristics and “full bore” design. Transair’s airtight components and the low friction coefficient of aluminum ensure optimal and constant flow throughout your compressed air system.

Furthermore, the aluminum pipe eliminates the ongoing concern about corrosion, ensuring the longevity of equipment and helps to avoid frequent changes of filtration elements.

Essentially, Transair is the best performing system and long-term choice for the mining industry.

